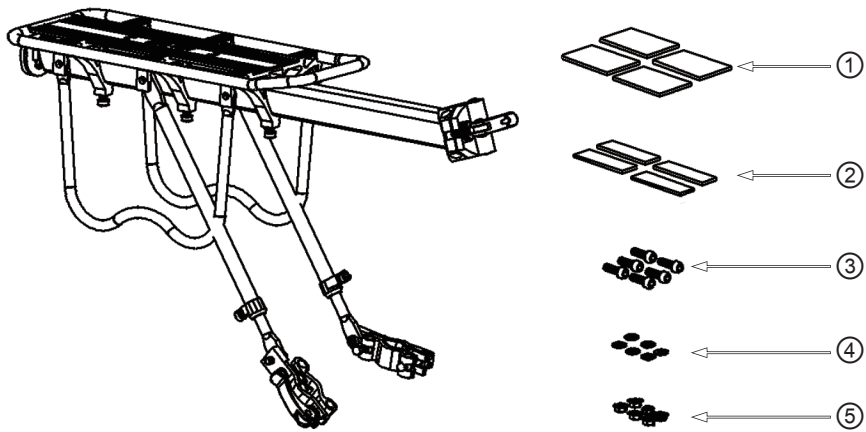


Rear Rack Instructions



| NO. | Accessories name | Quantity |
|-----|------------------|----------|
| 1 | Plastic seal B | 4 |
| 2 | Plastic seal S | 4 |
| 3 | M5*20mm | 6 |
| 4 | M5*10*1 gaskets | 6 |
| 5 | M5 nuts | 6 |

INSTALLATION STEPS

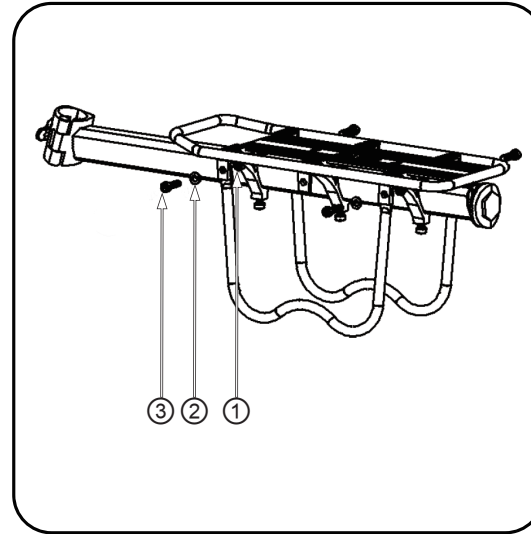
Step a. Install Two M shaped bars.

Step b. Install Two straight bars onto the middle holes.

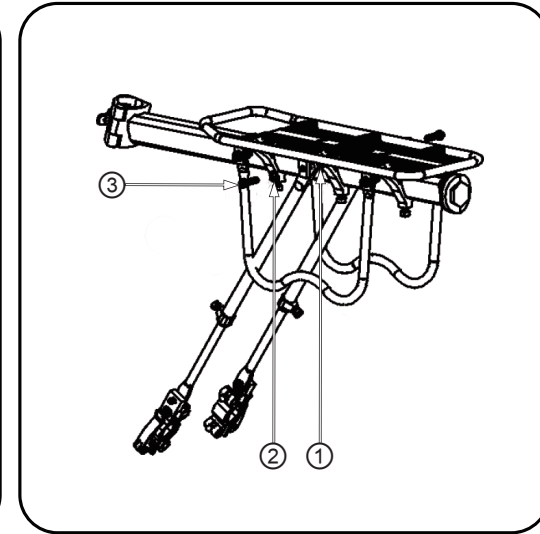
Step c. Install the rack with 4 plastic seal B to bicycle seat post.

Step d. Loosen the screws and adjust the straight bar to reach the bike rear fork, then install the quick release clamp with 4 plastic seal S.

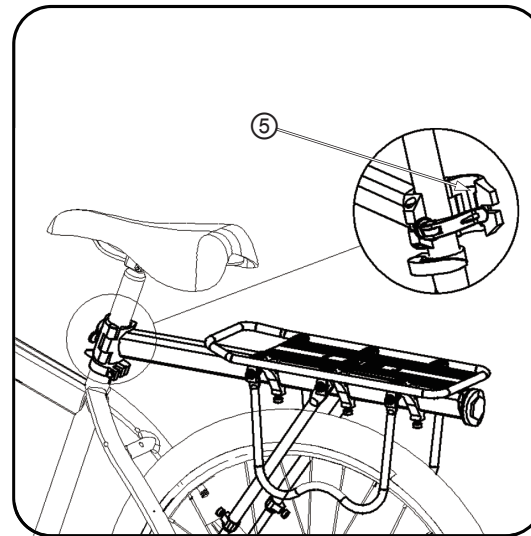
At last, please make sure that all screws are firm. then you can adjust the seat to a right comfortable position.



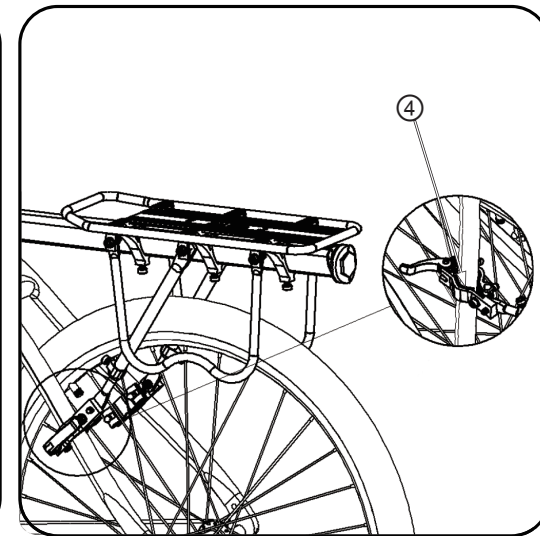
a.



b.



c.



d.